

acoufelt
making quiet



Full Colour Wall Panels

Product Detail

Application	Wall
Composition	100% polyester
Material	FilaSorb™
Recycled content	60% min
Weight	2400 & 4800gsm
Thickness	12 & 24mm +/- 10%
Dimensions	1220 x 2800mm Custom size available upon request

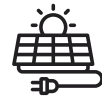
Sustainability



Made from 60% min. recycled content



Declare Red List Free (3rd Party Verified)



Generated using 40% solar energy



Recyclable at end of lifespan



Total VOC's less than 0.5 mg/m³ (3rd Party Verified)



Technical Data

12mm	
Fire test method	EN 13501-1: 2019
Classification	B-s1, d0
Water vapour sorption method	ASTM C1104-2019 (Procedure A Modified)
Water sorbed by weight	0.20% (results based on a 12mm thick panel)
24mm	
Fire test	Pending
12 & 24mm	
Total VOC test method	SCS-EC10.3-2014 v4.0 meeting standard CDPH/EHLB Standard Method v.1.2-2017
Total VOC result	≤ 0.5mg/m ³
Colourfastness test method	ISO 105-B02
Rating	6-7

Guarantees

Lead time	4-6 weeks
Origin	United Kingdom
Warranty against defects	20 years*
Colourfastness warranty	20 years* <small>*conditions apply</small>

Acoustic Performance

Test method

12mm ASTM C423-09a: Standard test method for sound absorption and sound absorption coefficients by the reverberation room method

24mm ASTM C423-17: Standard test method for sound absorption and sound absorption coefficients by the reverberation room method

Installation method

Mounting method A

Rating method

AS ISO 11654 -2002: Acoustics - rating of sound absorption - material and systems

Test results

12mm

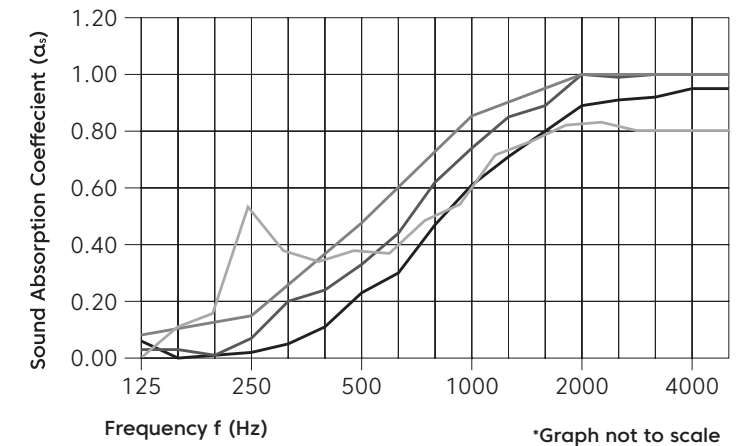
no air gap - 0.45 NRC | 0.25 (H) aw no air gap, Class E

12mm air gap - 0.54 NRC | 0.35 (MH) aw 12mm air gap, Class D

20mm air gap - 0.64 NRC | 0.40 (MH) aw 20mm air gap, Class D

24mm

0.60 NRC no air gap | 0.50 (LH) aw no air gap, Class D



Frequency (Hz)	125	250	500	1000	2000	4000	NRC	Class Rating
12mm - αs no air gap	0.06	0.02	0.23	0.61	0.89	0.95	0.45	Class E
12mm - αs 12mm air gap	0.03	0.14	0.33	0.74	1.00	1.00	0.54	Class D
12mm - αs 20mm air gap	0.05	0.16	0.48	0.85	1.00	1.00	0.64	Class D
24mm	0.02	0.57	0.41	0.58	0.87	0.85	0.60	Class D

Performance Indices: **Noise Reduction Coefficient (NRC)** results represent the absorption coefficients measured at the one third octaves bands at 125, 250, 500, 1000, 2000 and 4000 Hz rounded to the nearest 0.05. Acoustic testing has been performed according to the methods mentioned above. Customisation of installation of the product could alter the results.

Premier Colourways

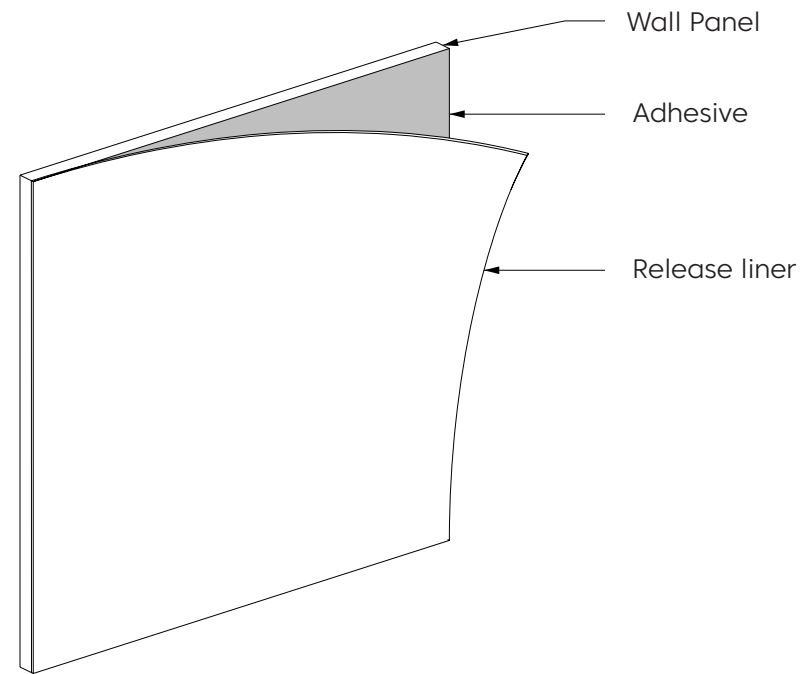


Can't find a colour?

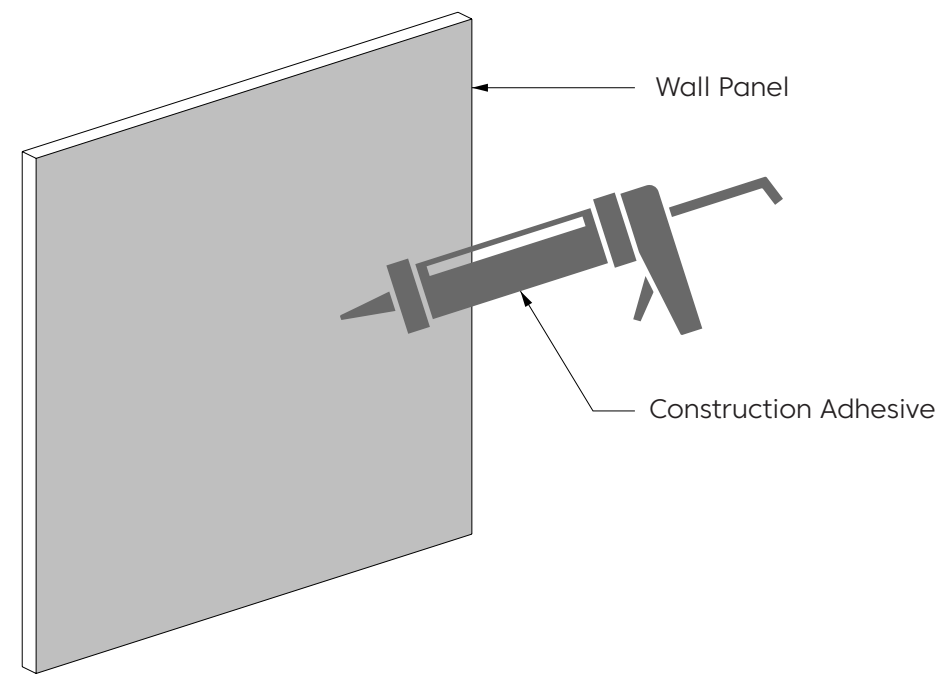
We are constantly updating our palette, which includes adding and discontinuing certain colour lines. If you can't find the colour you are looking for, please contact us with your colour request, as we may still have stock available.

Mounting Methods

Peel and Stick Backing

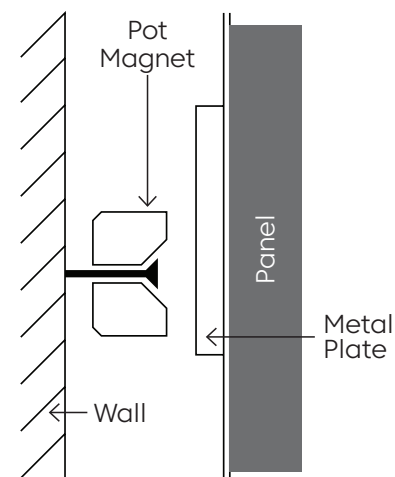


Construction Adhesive

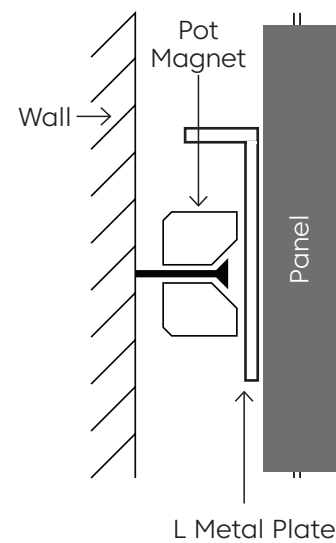


Pot Magnet Install

Wall Pot Magnet Install Metal Plate



Wall Pot Magnet Install L Plate + Metal Plate



L Plate Wall + Metal Plate Configuration

○ L Metal Plate × Metal Plate

