

acoufelt  
making quiet



# Blox Clouds

# Specifications

<b>Application</b>	Ceiling
<b>Composition</b>	100% polyester
<b>Material</b>	FilaSorb™
<b>Recycled content</b>	60% min. rPET
<b>Thickness</b>	12mm +/- 10%
<b>Weight</b>	2400gsm
<b>Dimensions</b>	<p><b>Blox Angled</b> 508 x 1220 x 508mm (W x L x H) 1220 x 1220 x 508mm (W x L x H)</p> <p><b>Blox Deep</b> 508 x 1220 x 508mm (W x L x H) 1220 x 1220 x 508mm (W x L x H)</p> <p><b>Blox Shallow</b> 508 x 1220 x 508mm (W x L x H) 1220 x 1220 x 508mm (W x L x H)</p>

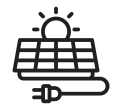
# Sustainability



Made from 60% min. recycled content



Total VOC's less than 0.5 mg/m<sup>3</sup> (3<sup>rd</sup> Party Verified)



Generated using 40% solar energy



Recyclable at end-of-life



Indoor Advantage Gold Certified.



# Technical Data

<b>Fire test method</b>	EN 13501-1: 2019
<b>Classification</b>	B-s1, d0
<b>Water vapour sorption method</b>	ASTM C1104-2019 (Procedure A Modified)
<b>Water sorbed by weight</b>	0.20% (results based on a 12mm thick panel)
<b>Total VOC test method</b>	SCS-EC10.3-2014 v4.0 meeting standard CDPH/EHLB Standard Method v.1.2-2017
<b>Total VOC result</b>	≤ 0.5mg/m <sup>3</sup>
<b>Colourfastness test method</b>	ISO 105-B02
<b>Rating</b>	6-7

# Guarantees

<b>Lead Time</b>	6-8 weeks
<b>Origin</b>	United Kingdom
<b>Warranty against defects</b>	20 years*
<b>Colourfastness warranty</b>	20 years*

\*conditions apply

# Acoustic Performance

## Test method

ASTM C423-09a: Standard Test Method for Sound Absorption and Sound Absorption Coefficients by the Reverberation Room Method

## Installation method

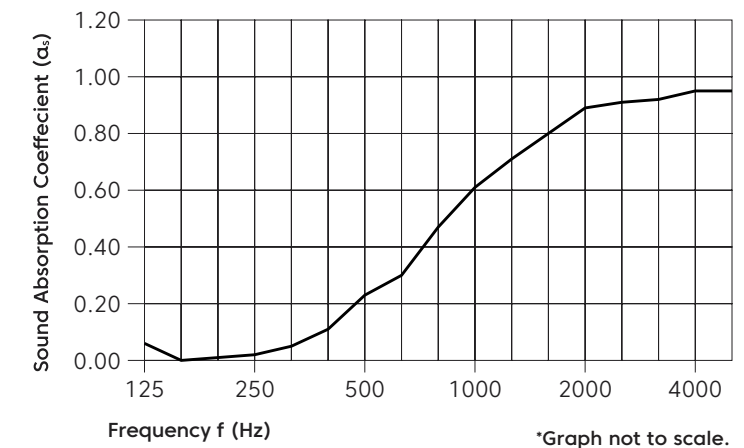
Mounting method A

## Rating method

AS ISO 11654 -2002: Acoustics - rating of sound absorption - material and systems

## Test results

no air gap - 0.45 NRC | 0.25 (H) aw no air gap, Class E  
\*results are for material only



Frequency (Hz)	125	250	500	1000	2000	4000	NRC	Class Rating
12mm - α <sub>s</sub> no air gap	0.06	0.02	0.23	0.61	0.89	0.95	0.45	Class E

Performance Indices: **Noise Reduction Coefficient (NRC)** results represent the absorption coefficients measured at the one third octaves bands at 125, 250, 500, 1000, 2000 and 4000 Hz rounded to the nearest 0.05. Acoustic testing has been performed according to the methods mentioned above. Customisation of installation of the product could alter the results.

# Angled Design

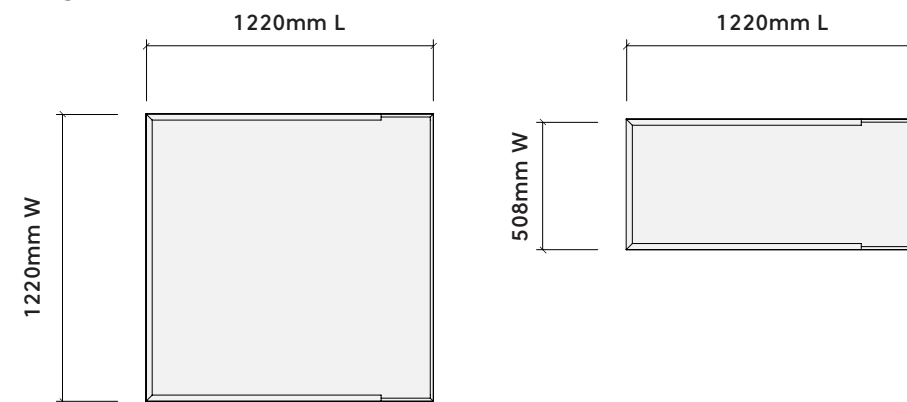
## Sizes

Width 508 & 1220mm

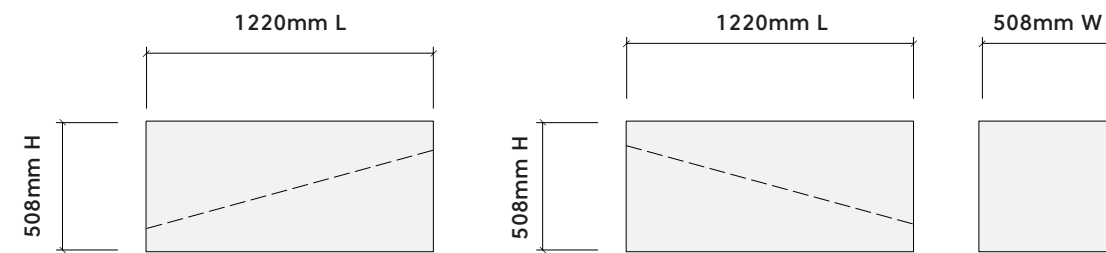
Depth 508mm

Height 1220mm

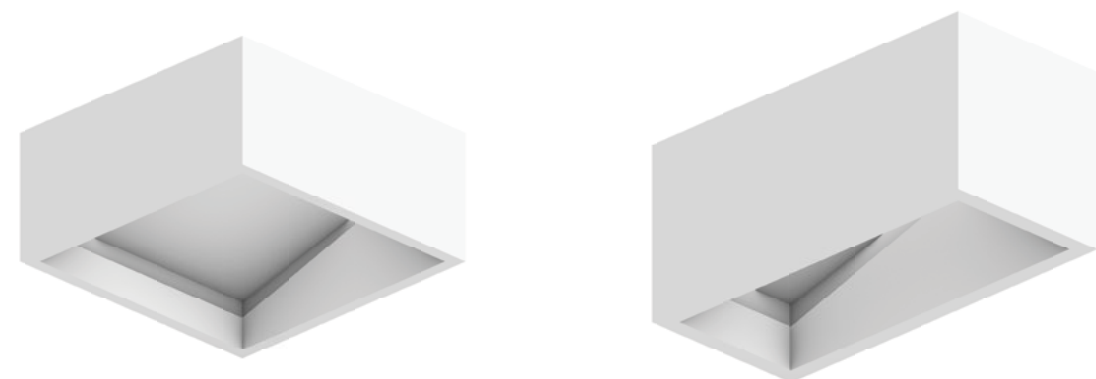
## Plan



## Elevations



## Perspective

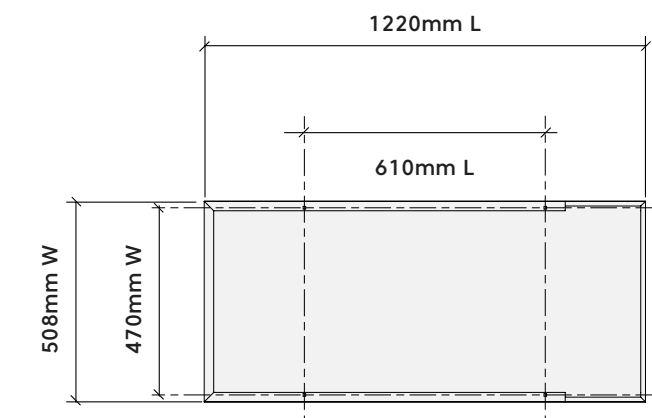
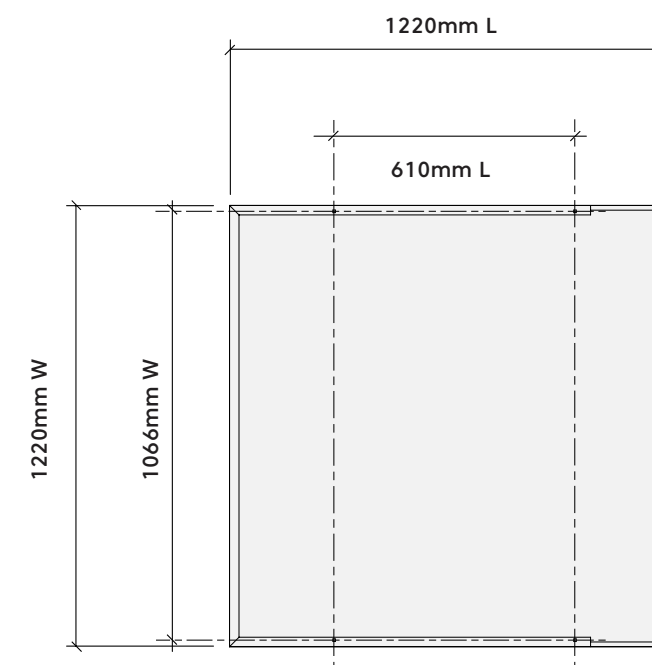


## Hardware Spacing

1220mm W – 1066mm on centre spacing

1220mm L – 610mm on centre spacing

508mm – 470mm on centre spacing



# Deep Design

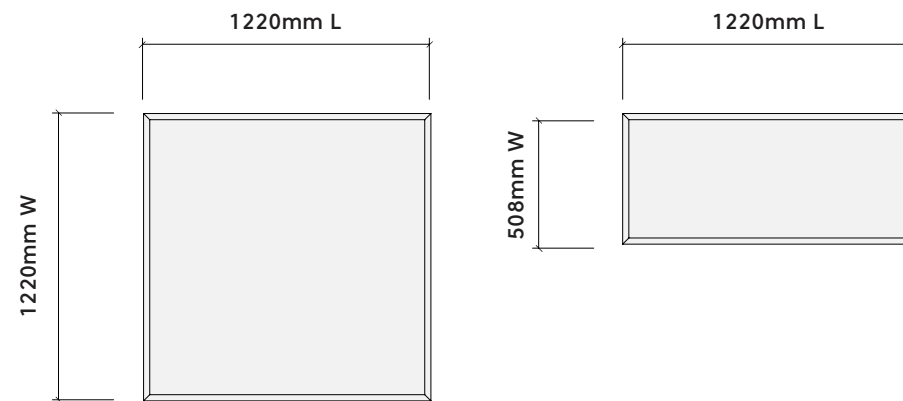
## Sizes

Width 508 & 1220mm

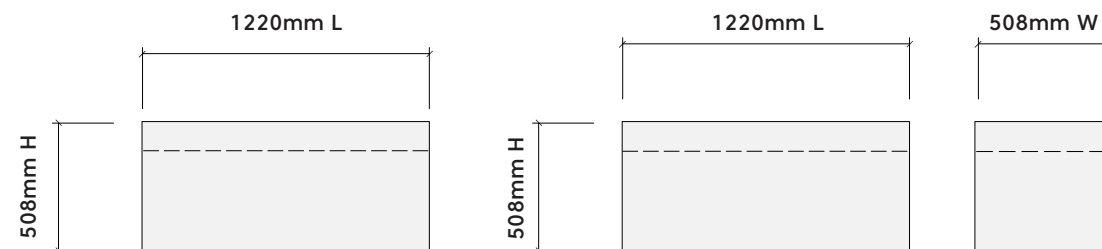
Depth 508mm

Height 1220mm

## Plan



## Elevations



## Perspective

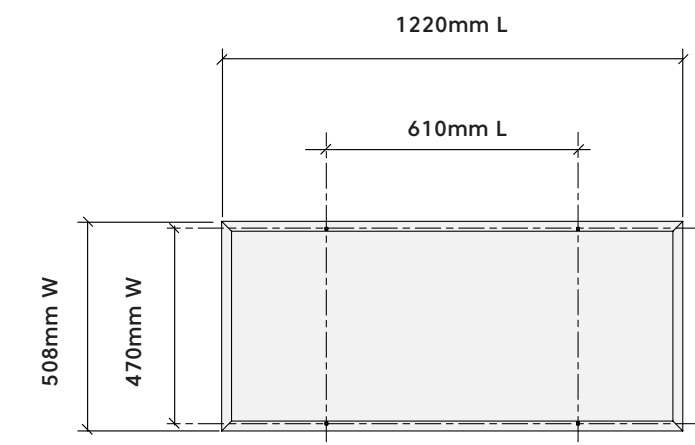
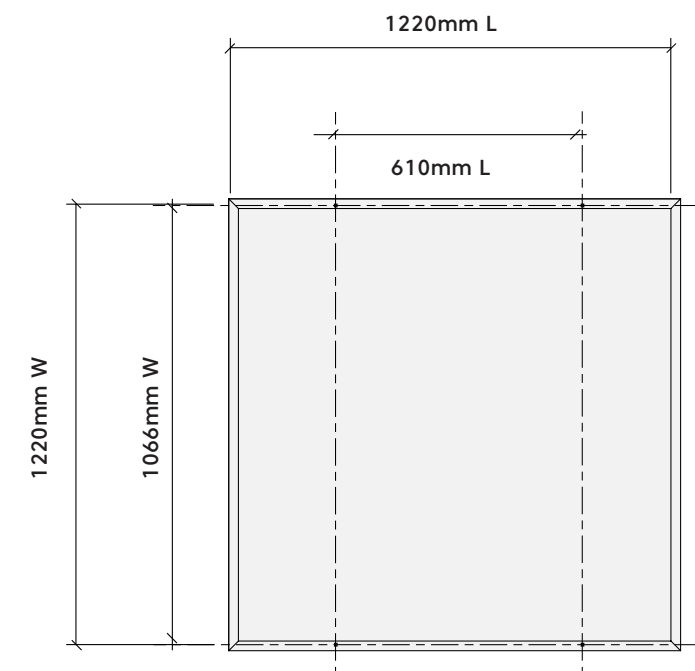


## Hardware Spacing

1220mm W – 1066mm on centre spacing

1220mm L – 610mm on centre spacing

508mm – 470mm on centre spacing



# Shallow Design

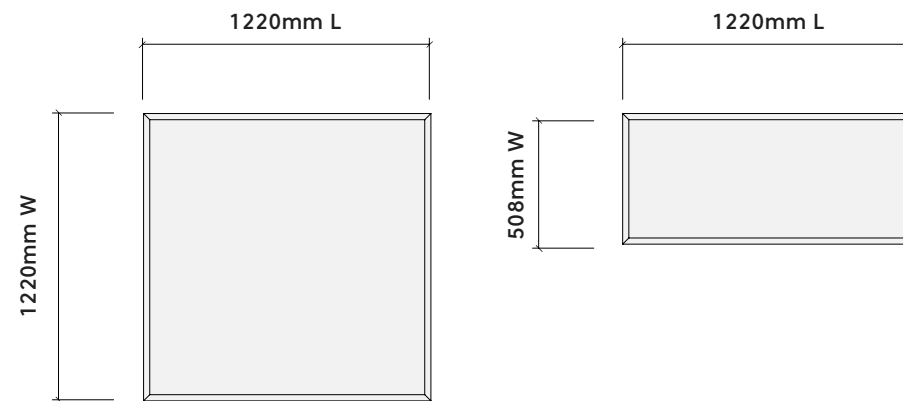
## Sizes

Width 508 & 1220mm

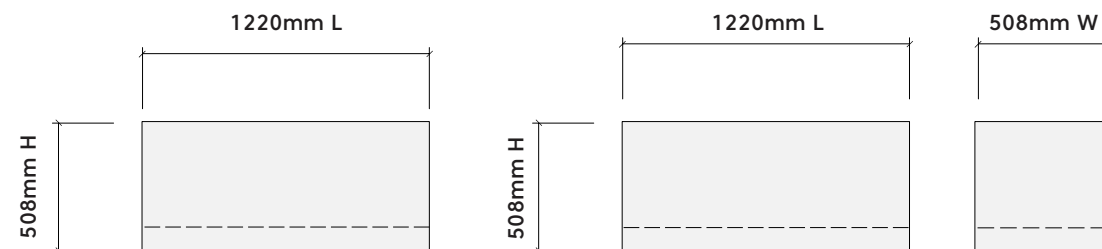
Depth 508mm

Height 1220mm

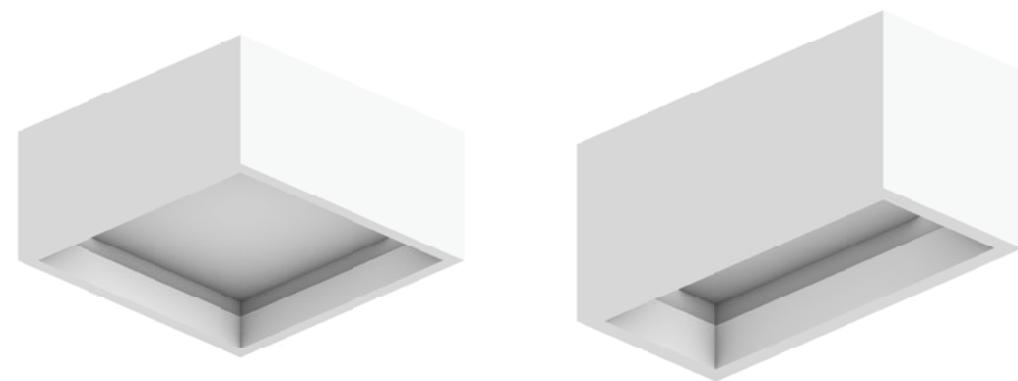
## Plan



## Elevations



## Perspective

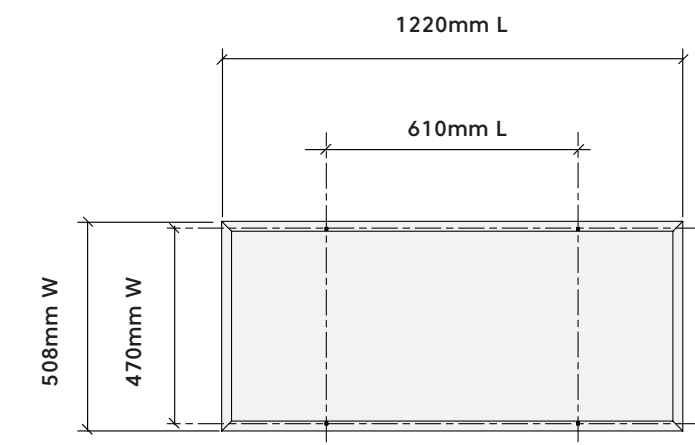
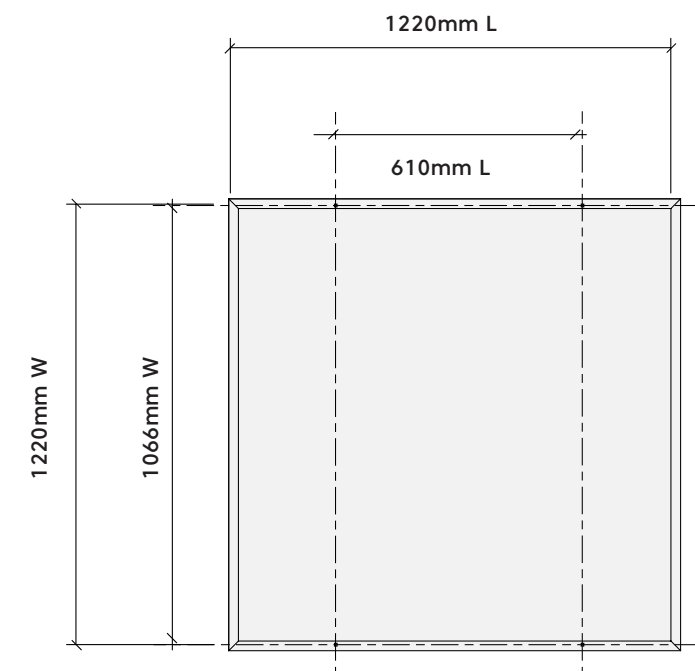


## Hardware Spacing

1220mm W – 1066mm on centre spacing

1220mm L – 610mm on centre spacing

508mm – 470mm on centre spacing



# Premier Colourways



## Can't find a colour?

We are constantly updating our palette, which includes adding and discontinuing certain colour lines. If you can't find the colour you are looking for, please contact us with your colour request, as we may still have stock available.

# WoodGrain Prints



Picket Fence  
WQ01



Boat Shed  
WQ02



Wine Barrel  
WQ03



Log Cabin  
WQ04



Barn Door  
WQ05



Loft  
WQ06



White Elm  
WQ07



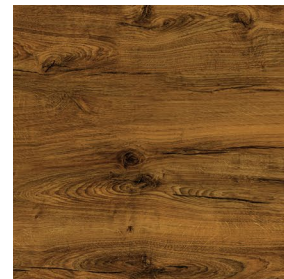
French Bobbin  
WQ08



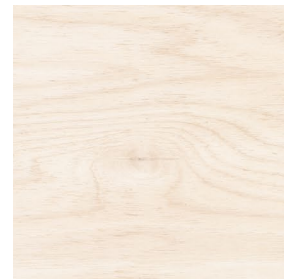
Charred Larch  
WQ09



Boardwalk  
WQ10



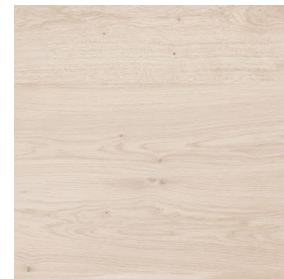
Antique Chest  
WQ11



Baltic Birch  
WQ12



White Oak  
WQ13



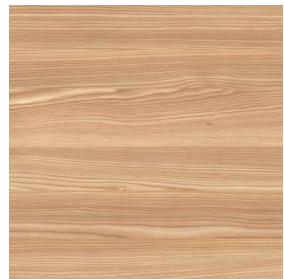
Weathered Slate  
WQ14



Nordic Plank  
WQ15



Natural Oak  
WQ16



European Larch  
WQ17



Teak  
WQ18



Fumed Oak  
WQ19



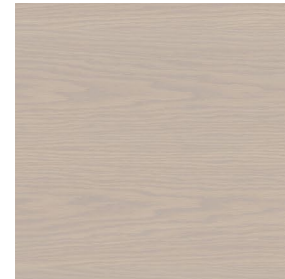
Black Walnut  
WQ20



Driftwood  
WQ21



Woodland Fog  
WQ22



Petrified Ash  
WQ23



Mountain Lodge  
WQ24



Mocha Legno  
WQ25



Scorched Timber  
WQ26



Espresso Oak  
WQ27



Shadow Oak  
WQ28



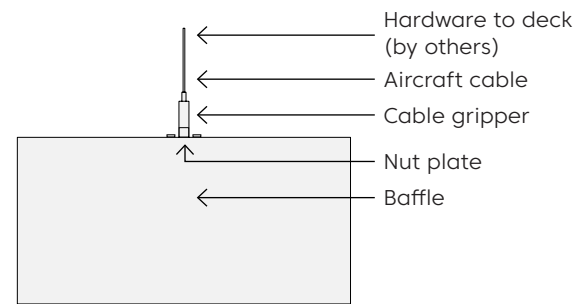
Knotty Spruce  
WQ29



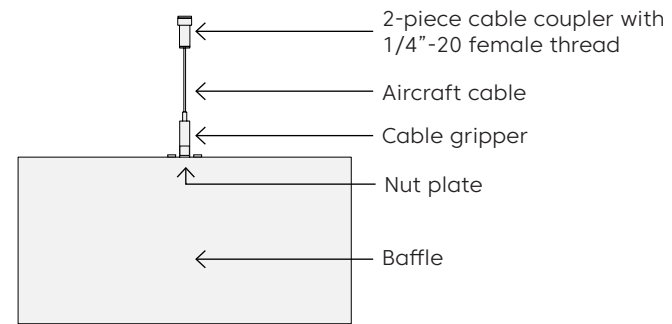
Lyed Larch  
WQ30

# Mounting Methods

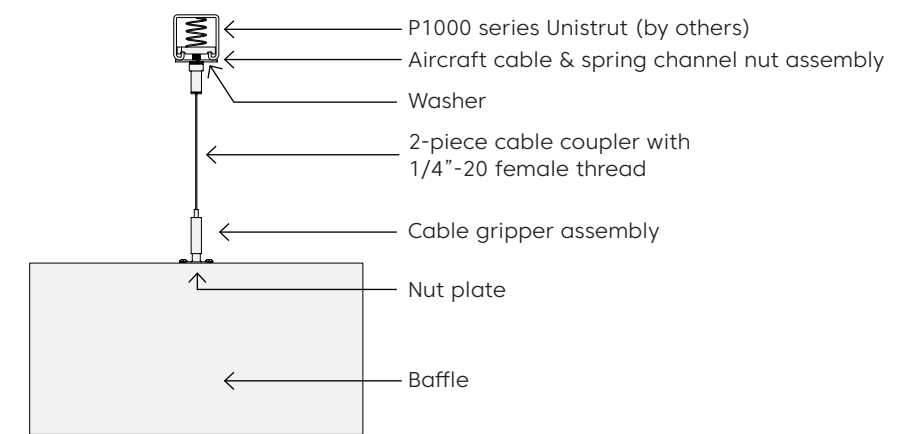
## Cable



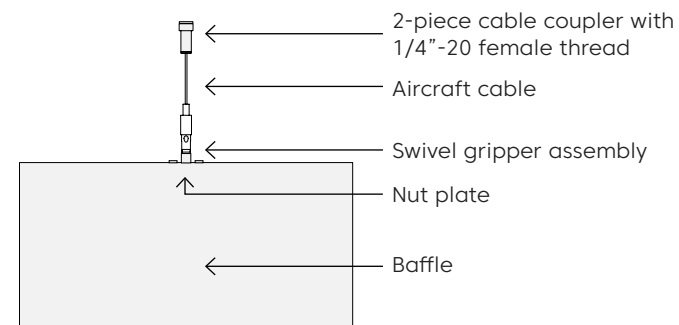
## Cable to deck



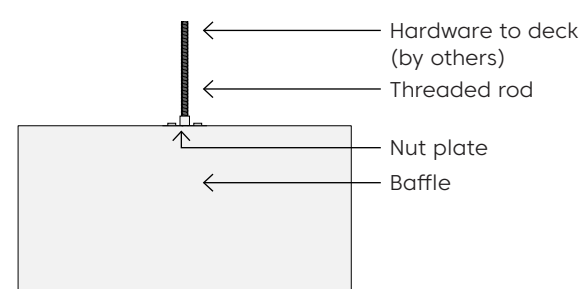
## Cable to Unistrut



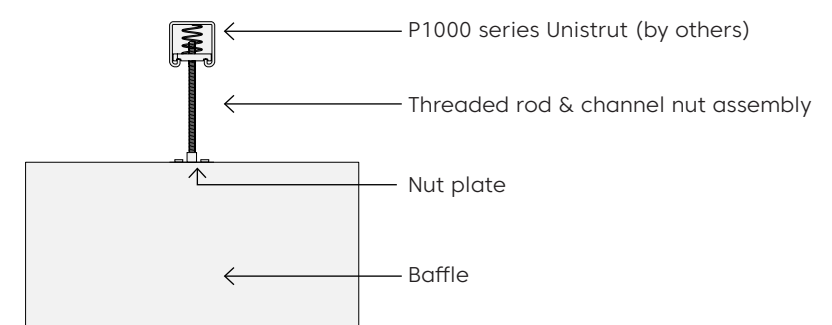
## Swivel cable to deck



## Threaded rod



## Threaded rod to Unistrut



## Direct to Unistrut

